

PITCHED ROOF ACCESSORIES

INTEGRA®

- **Discrete**
Integrates well into a slate roof due to its shape and colour
- **High quality**
ANTHRA-ZINC® has a proven track record of 40 years
- **Ventilation**
Allows 60 cm² and 145 cm² of ventilation
- **Application**
Primary use is venting of slate roofing



INTEGRA®

Roof ventilation

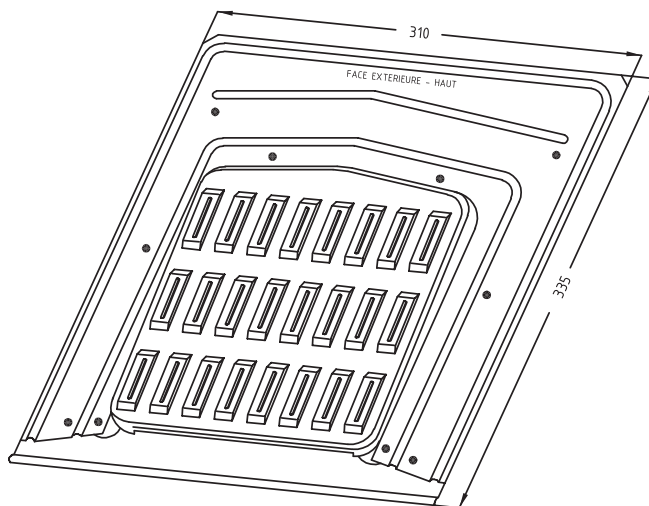
A roof vent made from ANTHRA-ZINC® that allows ventilation but prevents penetration of elements and insects.

Domain
of application
and
characteristics

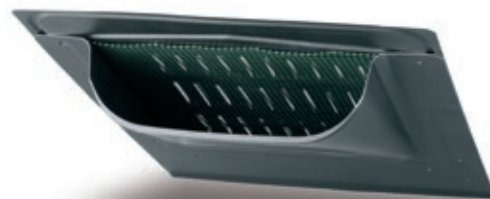
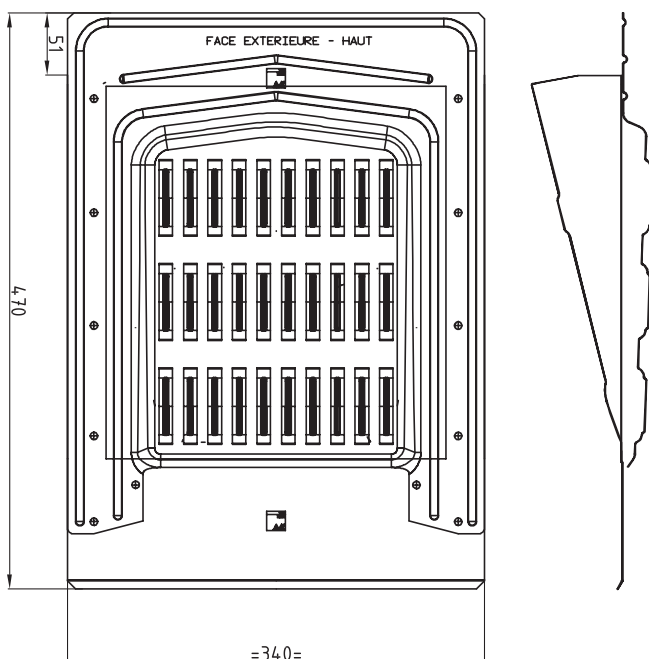
Applications	Slate roofs with a pitch $\geq 29\%$ (16°)
Specifications	Allows 60 cm ² and 145 cm ² of ventilation
Dimensions	INTEGRA® 60 cm ² : 355 x 310 mm INTEGRA® 145 cm ² : 470 x 340 mm
Surface aspects	ANTHRA-ZINC®

The INTEGRA® is used in conjunction with ventilated soffit or eaves. It is not intended for use in areas of heavy snow fall.

INTEGRA®
60 cm²
for roof
ventilation



INTEGRA®
145 cm²
for roof
ventilation



INTEGRA®

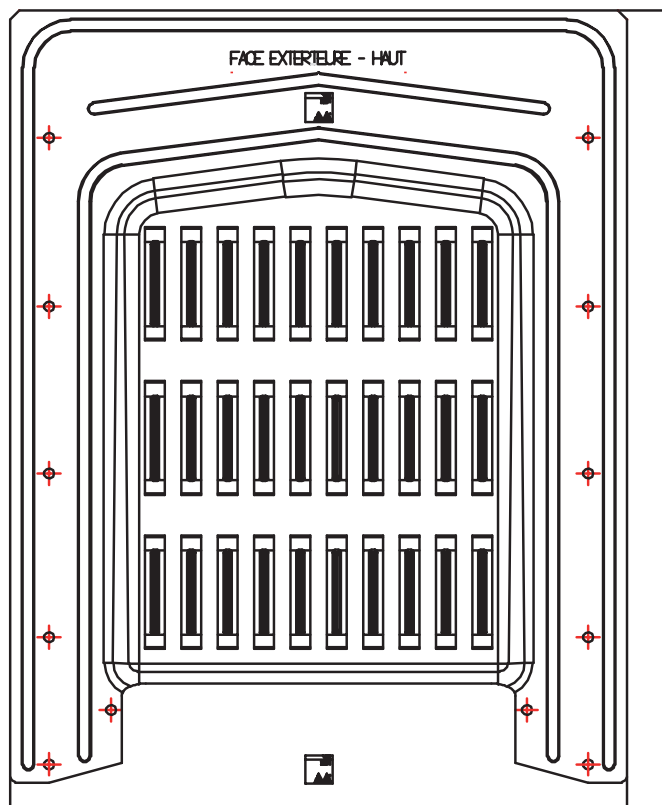
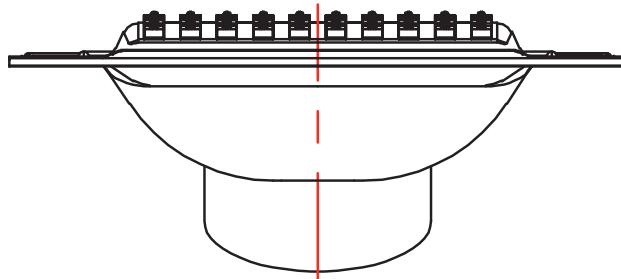
Soil Vent Pipe

To ventilate the wet parts, or to ensure the extraction of air of the domestic devices (hoods, dry linen), VMZINC® propose a general-purpose model also being useful for outputs of VMC. A single product which minimizes the number of references thus and guarantees a uniform aesthetics. The Integra allows SVPs to discretely vented.

Domain
of application
and
characteristics

Applications	Slate roofs with a pitch $\geq 40\%$ (22°)
Specifications	145 cm ² of ventilation
Dimensions	470 x 340 mm
Connection – nominal output	$\varnothing 125$ Plastic reducer for the $\varnothing 80$ mm and $\varnothing 100$ mm diameters (available separately)
Surface Aspects	ANTHRA-ZINC®

INTEGRA®
145 cm²
for mechanical
ventilation



INTEGRA®

Controlled mechanical ventilation

To ventilate bathrooms and kitchens using motorised ventilation, INTEGRA® is now available in 145 and 200 cm². A model with comfortable dimensions to reduce the number of devices and to guarantee an effective ventilation.

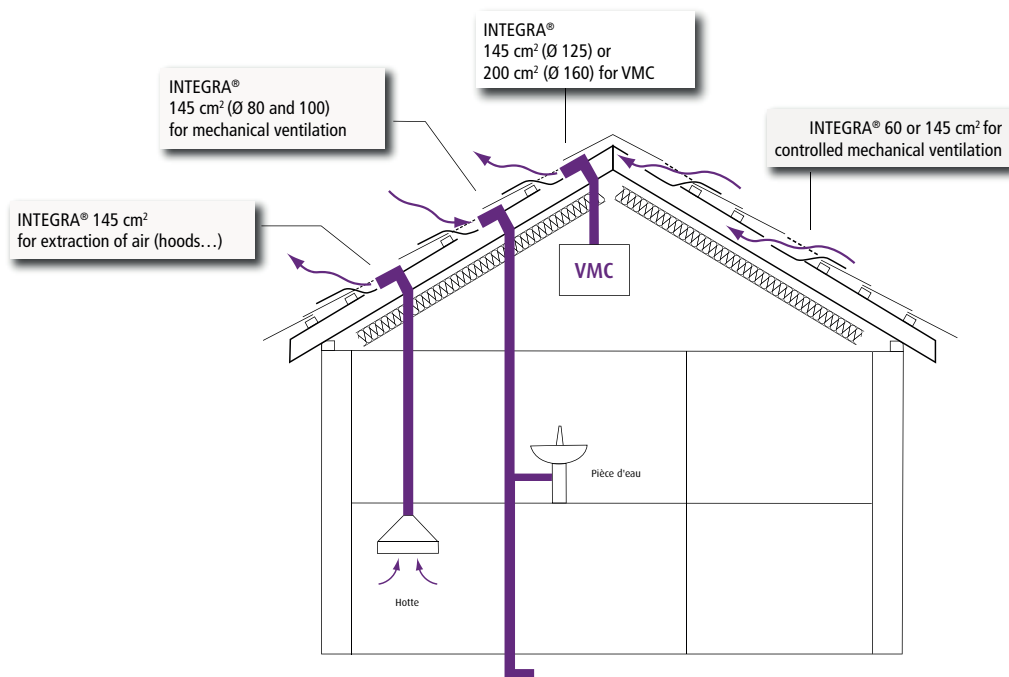
Domain
of application
and
characteristics

Applications	Slate roofs with a pitch $\geq 40\%$ (22°)
Specifications	145 cm ² of ventilation
Dimensions	145 cm ² : 470 x 340 mm 200 cm ² : 515 x 400 mm
Connection – nominal output	INTEGRA® 145 cm ² : Ø125 mm INTEGRA® 200 cm ² : Ø160 mm (Plastic reducer Ø125 mm provided)
Surface aspects	ANTHRA-ZINC®

INTEGRA®
145 cm²



INTEGRA®
200 cm²



INTEGRA®

Instructions installation



- 1** Place the INTEGRA® between two rafters.
- 2** Cut the decking so that the lower part of the Integra is flush with the lower part of the decking.
- 3** Fasten the INTEGRA® in place with hooks or nails.
- 4** Install slate around the INTEGRA® leaving 10mm between the raised part of the vent and the slate.





www.vmzinc.co.uk

VM Building Solutions UK

Collier house,
Mead lane
Hertford, herts, SG13 7AX
Tel : 01992 822 288
Fax : 01992 584 460

vmzinc.uk@vmbuildingsolutions.com
www.vmbuildingsolutions.com

VMBUILDINGSOLUTIONS