

VM ZINC[®]
creates

FPS and HPS Cassettes

**For facades,
the trend is...zinc**

VM ZINC[®] Press relations
Isabelle Deleau / Christine Marchand
22, rue Muller 75018 Paris
Tel: 01 53 28 20 80 – Fax: 01 53 28 10 00
E.mail: id.agence@wanadoo.fr

These two new cassette cladding systems allow the installation of very large zinc elements while ensuring perfect flatness of the facades.

The VM ZINC[®] FPS and HPS cassettes are cladding systems for flat facades, fixed on special frameworks using hidden clips. They are marketed in QUARTZ-ZINC[®], a warm velvet-grey, pre-weathered zinc and are used for new service industry buildings and collective housing or for their renovation.

VM ZINC[®] Cassettes are a complete system supplied with an aluminium framework and fixing and finishing accessories.

They are installed on flat vertical facades consisting of a concrete or brickwork wall or with the main structure in metal.

VM ZINC[®] FPS and HPS Cassettes meet the requirements of:

- **Architects**, thanks to their original, modern aesthetics.
The innovation resides in the use of large elements of unparalleled flatness. The cassettes are tailor-made and therefore dimensioning can be done to measure according to the configuration of the building. The main purpose was to create a sophisticated architecture in which joints are defined, the fixing elements hidden and scrupulous attention is paid to installation details thanks to a vast range of meticulously crafted finishing elements. These very flat elements give the architectural project a smooth, flawless aspect.
- **Contractors and facade installers**, thanks to its easy installation and traditional implementation.

FPS and HPS cassettes meet all the quality, durability and reliability criteria of VM ZINC[®]. May require no special maintenance and retain their pleasant aesthetics for a very long time.

VM ZINC[®] is the international brand of rolled zinc products made and marketed by the Building Products Unit of the Belgian Umicore Group, leader in non ferrous metals.

The VM ZINC[®] range is divided into five product families: Roofing – Finishing elements for roofs - Facade - Rainwater evacuation systems - Ornaments.

The uncontested leader in France, Belgium and most European markets, the Building Products Unit has a strong international development policy.

In France, the products are marketed through a specialist distribution network. As the industrial partner of specifiers and roofers VM ZINC has developed an active service policy: design assistance, training for roofers through the PRO-ZINC department, machine rentals, technical assistance, etc.

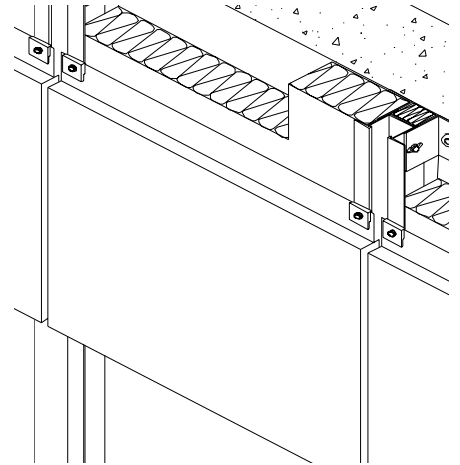
VM ZINC[®] FPS Cassette

The VM ZINC[®] FPS Cassette is made to measure by bending, using heavy gauge zinc (1.5 mm) and is fixed to a framework which is secured to the supporting structure.

It has excellent flatness, is easy and fast to install, and is laid horizontally.

A technical certification document (No 175) on the system has been approved by CETEN APAVE (France).

Price range for cassettes, framework and clips and installation on the main part of the building:
150 to 185 euros sq. m, before tax.



VM ZINC[®] HPS Cassette

The VM ZINC[®] HPS Cassette is a cladding system using cassettes reinforced with a honeycomb core, a special metal framework and a hanging panel installation system.

Made to measure and suitable for very large dimensions, it is installed horizontally or vertically.

This very high performance system guarantees the perfect flatness of large surfaces and has excellent resistance to high wind loads.

A technical certification document (No 175) on the system has been approved by CETEN APAVE (France).

Price range for cassettes, framework and fixing elements and installation on the main part of the building:
240 to 280 euros sq. m before tax.

